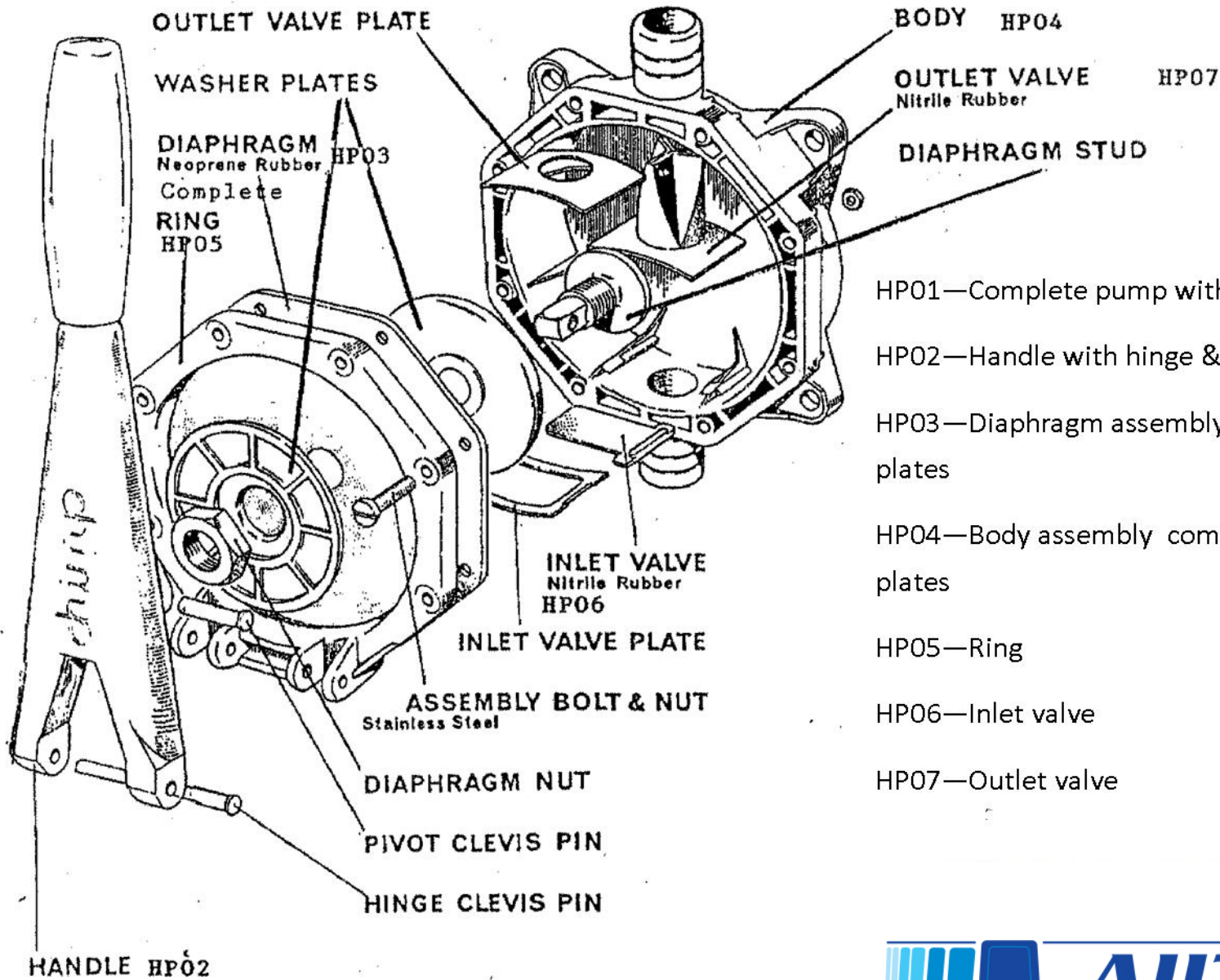


Henderson CHIMP Pump



- HP01—Complete pump with 1 1/2" bolts & nuts, unassembled
- HP02—Handle with hinge & pivot pins & split pins
- HP03—Diaphragm assembly complete with stud, nut & 2 washer plates
- HP04—Body assembly complete with inlet and outlet valves & plates
- HP05—Ring
- HP06—Inlet valve
- HP07—Outlet valve



AllToilets (WA)
 Portable Toilet Sales